

# 4 oz Pathology Container (Short)

**Product Code:** PC0004

## General Description

Color: Translucent  
Body Diameter: 74.11mm  
Body Height: 56.7mm

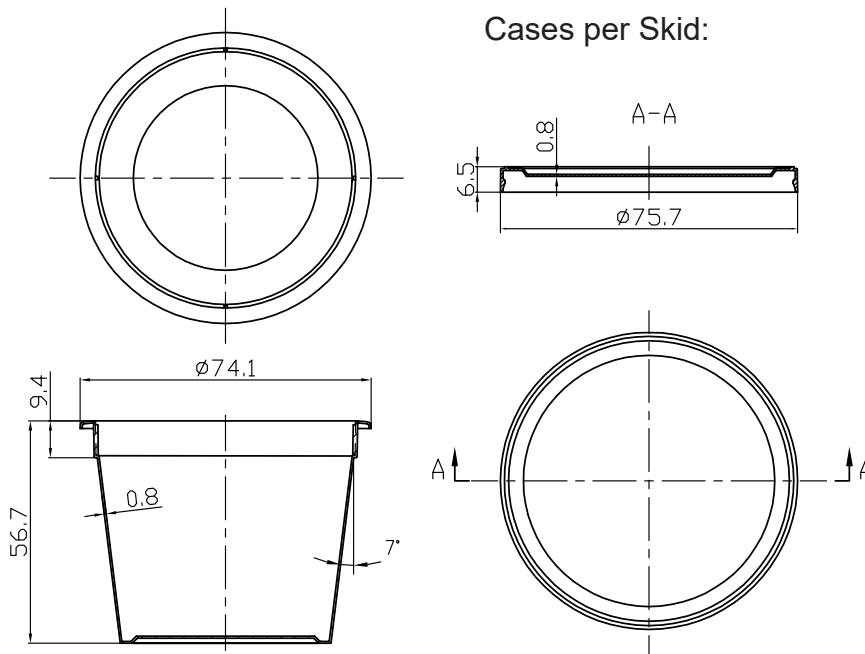
- Snap-on lid creates secure seal
- Shatter-resistant, translucent body allows for easy viewing

### **Material:**

HDPE, FDA Certified  
Country of Origin: China  
*Product is recyclable*



Case: 250 pc/case  
Packaged: 250 Bagged  
Case Dimensions: 15.25 x 6.50 x 16.75"  
Case Weight: 7.7 lbs  
Cube Dimension: 0.96  
Cases per Skid:



Dimensions listed are in millimeters