

1000 ml Histology Container

Product Code: YC1000



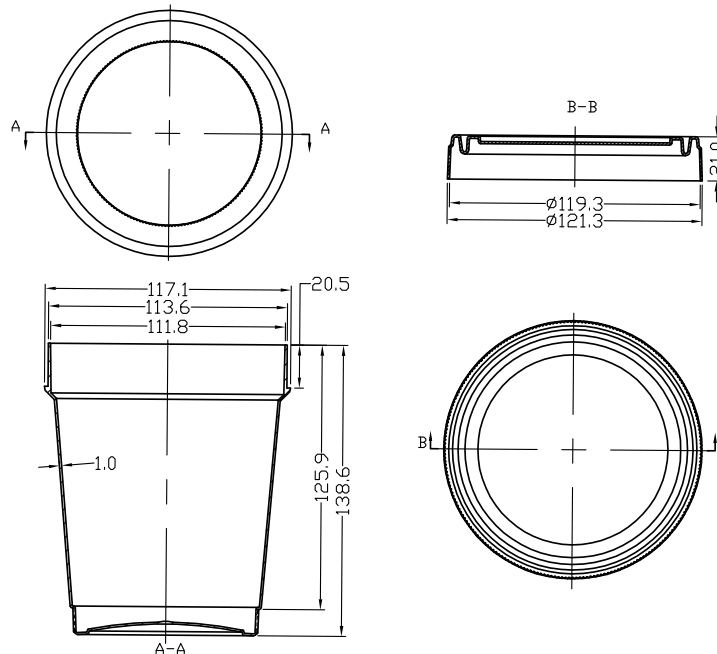
General Description

- Ideal for specimens and general purpose storage and transportation
- Shatter-resistant, translucent body
- Screw on lid creates secure seal

Material:

Polypropylene Body, FDA Certified
HDPE Cap, FDA Certified
Country of Origin: China
Product is recyclable

Case:	100 pc/case
Packaged:	10/sleeve, 10 sleeves
Case Dimensions:	23.50 x 9.50 x 21.50"
Case Weight:	21.8 lbs.
Cube Dimension:	2.78
Cases per Skid:	24



Dimensions listed are in millimeters