

85 oz Pathology Container

Product Code: PC0085

Product Details

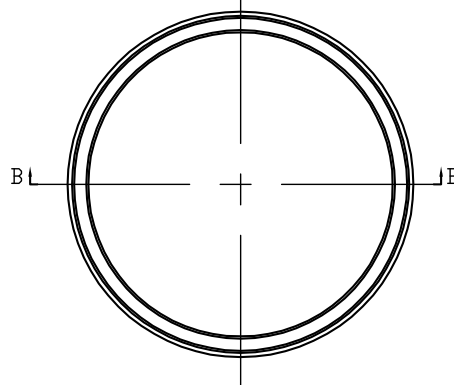
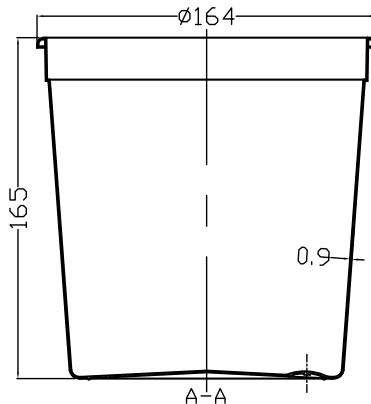
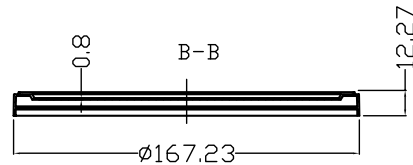
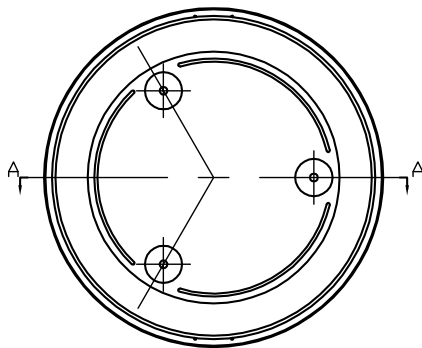
- Color: Translucent
 Body Diameter: 164 mm
 Body Height: 165 mm
- Snap-on lid creates secure seal
 - Shatter-resistant, translucent body allows for easy viewing

Material:

HDPE, FDA Certified
 Country of Origin: China
Product is recyclable



- Case: 50 pc/case
 Packaged: 50 Bagged
 Case Dimensions: 20 x 13.50 x 15.25"
 Case Weight: 12.85 lbs
 Cube Dimension: 2.38
 Cases per Skid: 30



Product dimensions listed are in millimeters