

174 oz Pathology Container

Product Code: PC0174

General Description

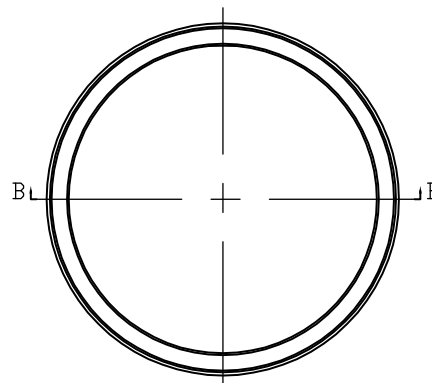
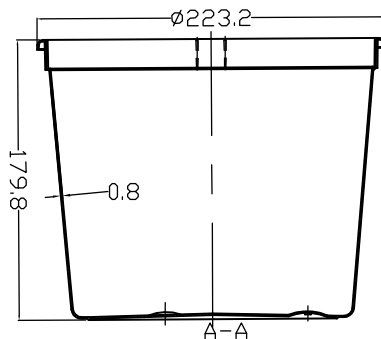
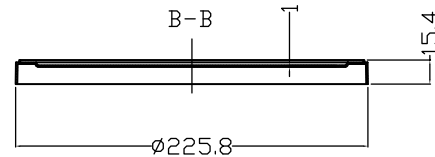
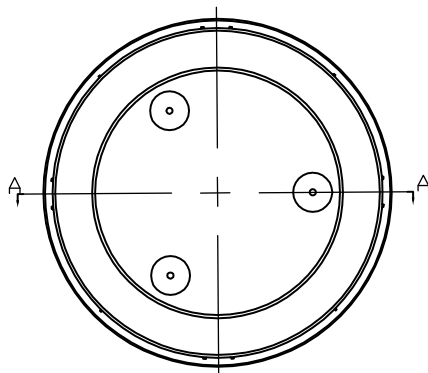
Color: Translucent
Body Diameter: 223.2 mm
Body Height: 179.8 mm

- Snap-on lid creates secure seal
- Shatter-resistant, translucent body allows for easy viewing

Material:

HDPE, FDA Certified
Country of Origin: China
Product is recyclable

Case: 25 pc/case
Packaged: 25 Bagged
Case Dimensions: 26.25 x 18 x 11"
Case Weight: 12.25 lbs
Cube Dimension: 3.01
Cases per Skid: 20



Product Dimensions listed are in millimeters